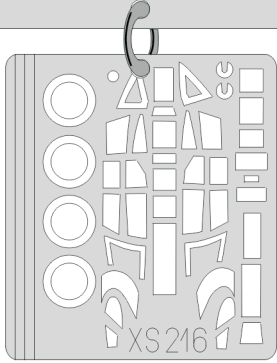


eduard
Express Mask

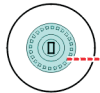
XS 216

Me 410

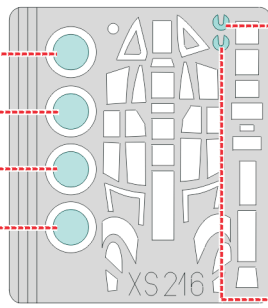
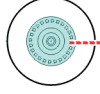
The die-cut mask for accurate canopy frame painting of the
Fine Molds 1/72 KIT



C10
2pcs.



C11
2pcs.



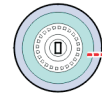
A10



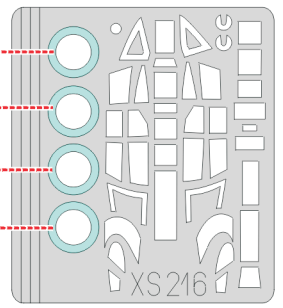
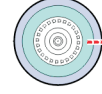
A10



C10
2pcs.

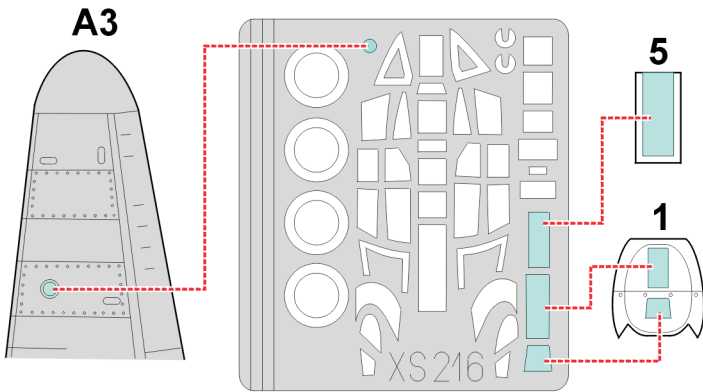


C11
2pcs.

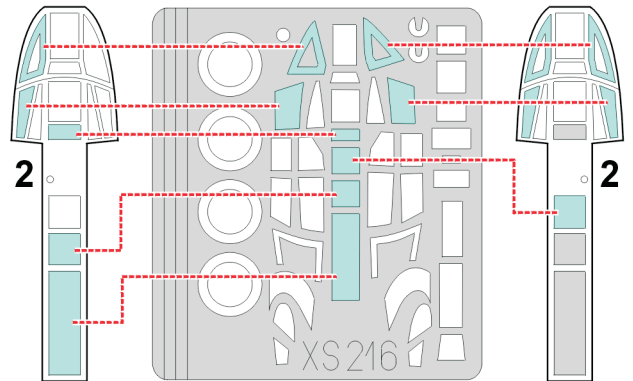


LIQUID MASK ■

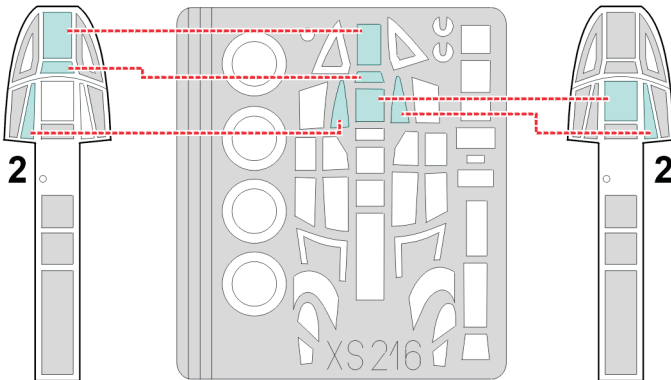
1.)



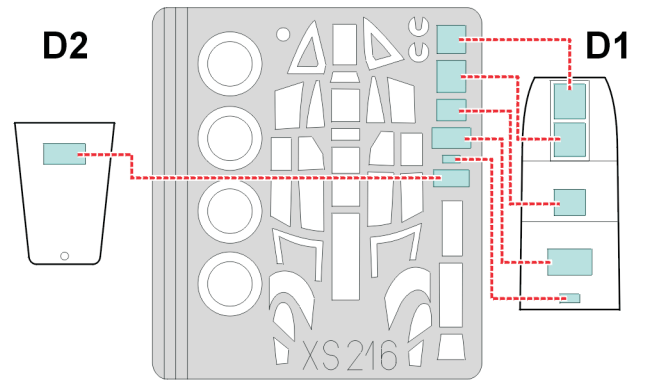
2.)

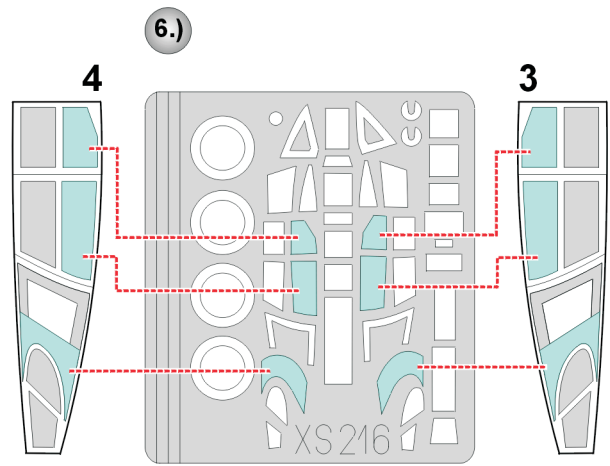
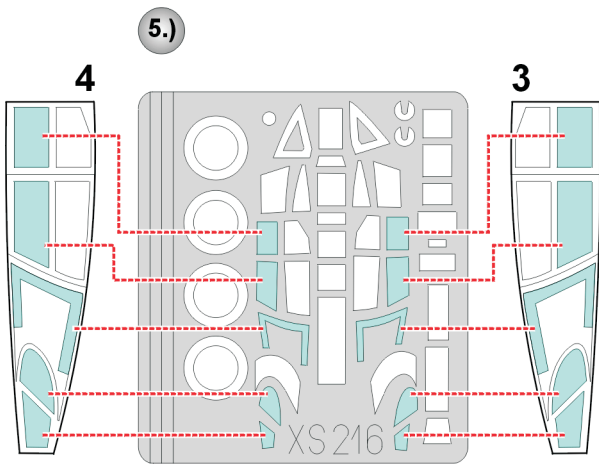


3.)

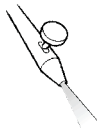


4.)

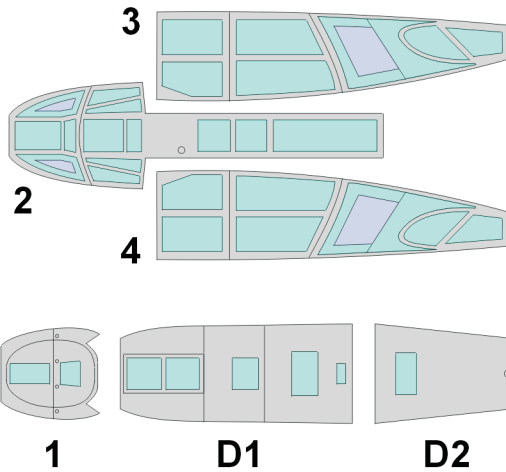




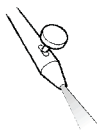
7.)



INTERIOR COLOR



8.)



CAMOUFLAGE COLOR

