

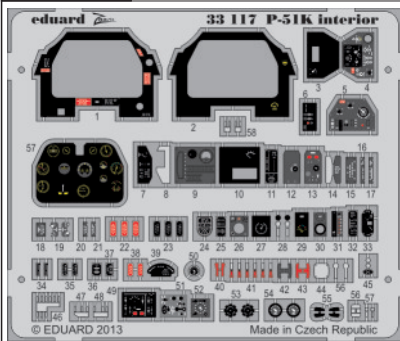


P-51K interior S.A.



33 117

1/32 scale detail set for Tamiya kit • sada detailů pro model Tamiya 1/32



- SYMMETRICAL ASSEMBLY
SYMETRICKÁ MONTÁŽ
- REMOVE
ODSTRANIT
- BEND
OHNOUT
- REPLACE
NAHRADIT
- GRIND
OBROUSIT
- OPTION
VOLBA
- COLORED ETCHED PARTS
LEPTANÉ BAREVNÉ DÍLY

ORIGINAL KIT PARTS
PŮVODNÍ DÍLY STAVEBNICE

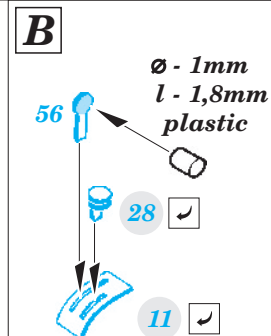
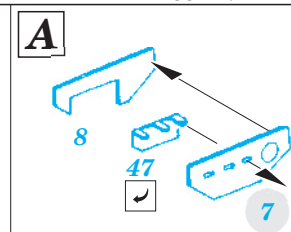
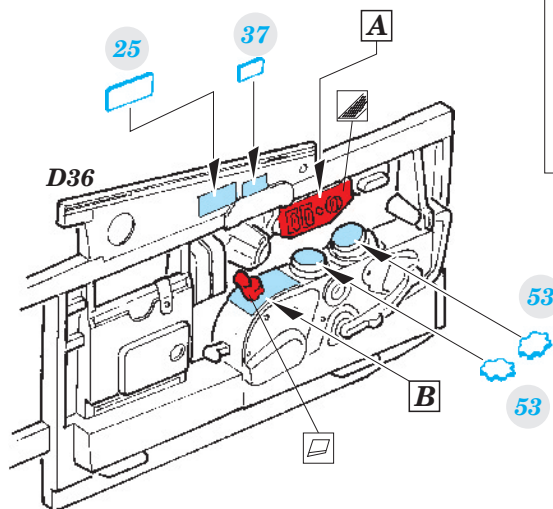
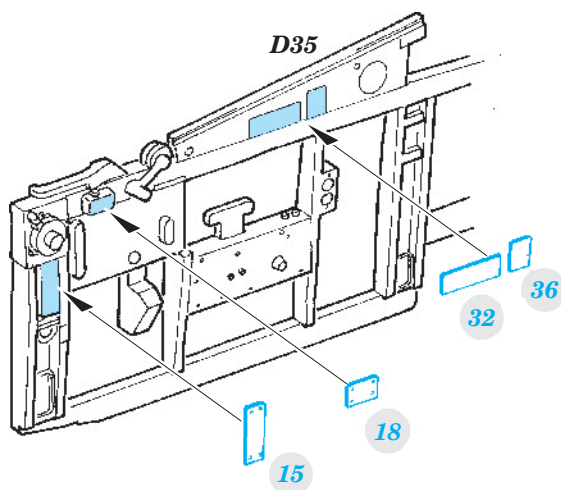
PHOTO-ETCHED PARTS
LEPTANÉ DÍLY

PARTS TO BE REMOVED
DÍLY K ODSTRANĚNÍ

FILL
TMELIT

The main assembly diagrams are organized into several sections:

- Top Left:** Shows the main fuselage assembly (1) with photo-etched parts (2, 57) and original kit parts (6, 41, 42, 45, 58). A red area (D31) indicates parts to be removed. Includes a callout for part 50 and D15.
- Top Right:** Shows the battery assembly (D43) with photo-etched parts (22, 23).
- Middle Left:** Shows the instrument panel assembly (D48) with photo-etched parts (3, 4, 5, 41, 48) and an option (5). Includes a callout for 2 pcs. of part 41.
- Middle Center:** Shows the lower fuselage assembly (D23) with photo-etched parts (19, 24, 30, 34, 40, 43, 54).
- Middle Right:** Shows the control panel assembly (D5) with photo-etched parts (33, 55, 59, 60).
- Bottom Left:** Shows the instrument panel sub-assembly (D17) with photo-etched parts (9, 10, 14, 16, 17, 20, 21, 46).
- Bottom Center:** Shows the control panel sub-assembly (D1) with photo-etched parts (12, 13).
- Bottom Right:** Shows the control panel sub-assembly (D6, D13) with photo-etched parts (31, 35, 38, 39).
- Bottom Far Left:** Shows the instrument panel sub-assembly (D12) with photo-etched parts (26, 27).
- Bottom Far Center:** Shows the instrument panel sub-assembly (X1, X2, X3) with photo-etched parts (49, 51, 52).

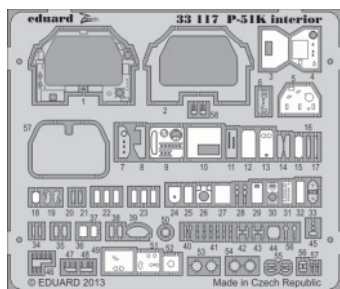


For further detail sets look for **eduard** 32 731 P-51 seatbelts
(not included in this set)

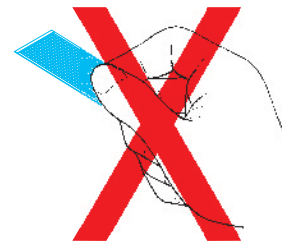
For further detail sets look for **eduard** 32 327 P-51K exterior
(not included in this set)

For further detail sets look for **eduard** 32 778 P-51K gun bay
(not included in this set)

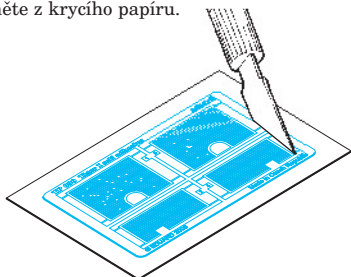
PARTS WITH GLUE • DÍLY OPATŘENÉ LEPIDLEM



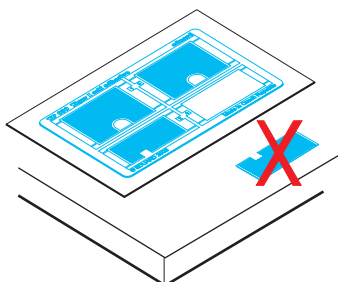
- Do not touch the adhesive areas of the etched components.
- Nesahejte na části dílů, na kterých je naneseno lepidlo.



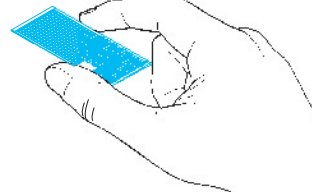
- Separate the etched components from their frames on the protective paper. Removal from the paper is done only after separation of the parts from the frames.
- Samolepicí díly oddělujte od rámečku na podkladovém papíře. Po oddělení je sejměte z krycího papíru.



- Do not inadvertently place etched components on an unwanted surface. Attempts to remove will result in damage to your part.
- Nepokládejte samolepicí díly na volné plochy. Pokud je omylem přilepíte, při pokusu o odlepení dojde k poškození dílu.



- Hold the parts by the edges, or at areas free of adhesive.
- Samolepicí díly berte za hrany nebo za části, na kterých není nanesené lepidlo.



- Lightly place the component in the desired location and position. Adjust as required. The component will be permanently affixed when pressed onto its intended location, its location can be adjusted.
- Díl lehce položte do pozice, ve které má být nalepen. Upravte přesnou pozici a přimáčkněte. Díl dokonale přilne až po přimáčknutí, před přimáčknutím lze dílem opatrně manipulovat.

