

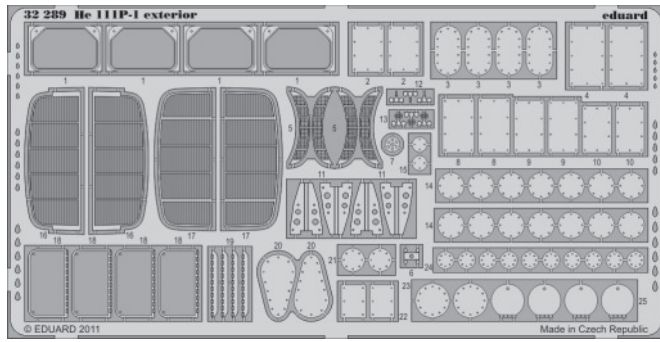


He 111P-1 exterior

eduard

32 289

1/32 scale detail set for Revell kit • sada detailů pro model 1/32 Revell



- APPLY EXPRESS MASK AND PAINT BEFORE GLUING
POUŽIT EXPRESS MASK NABARVIT PŘED SLEPENÍM
- SYMMETRICAL ASSEMBLY
SYMETRICKÁ MONTÁŽ
- REMOVE
ODSTRANIT
- GRIND
OBROUSIT
- DRILL HOLE
VRTAT OTVOR
- BEND
OHNOUT
- OPTION
VOLBA
- REPLACE
NAHRADIT

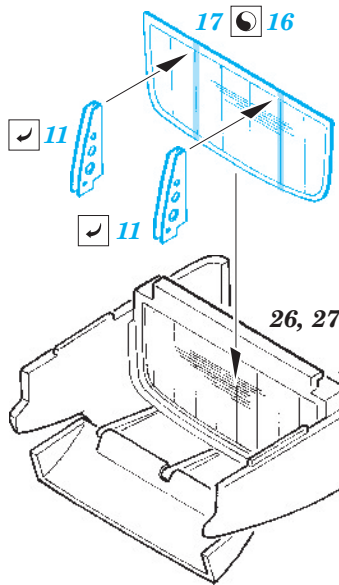
ORIGINAL KIT PARTS
PŮVODNÍ DÍLY STAVEBNICE

PHOTO-ETCHED PARTS
LEPTANÉ DÍLY

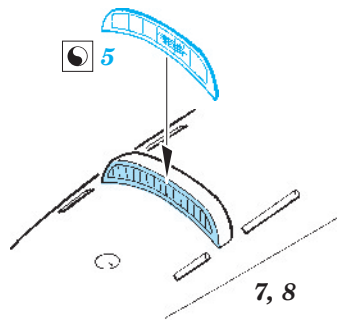
PARTS TO BE REMOVED
DÍLY K ODSTRANĚNÍ

FILL
TMELIT

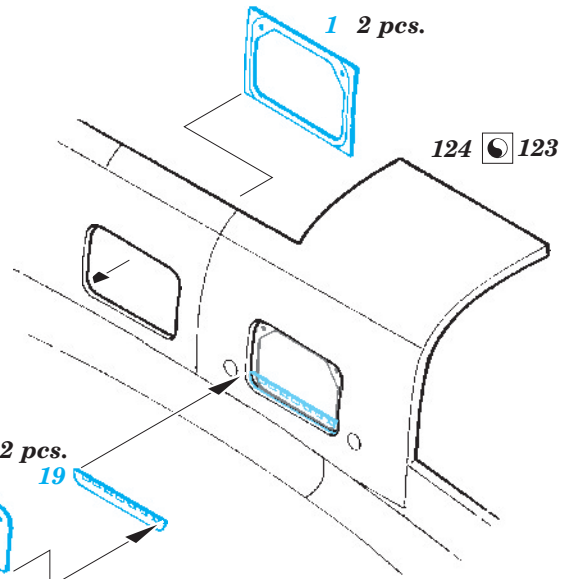
2 pcs.



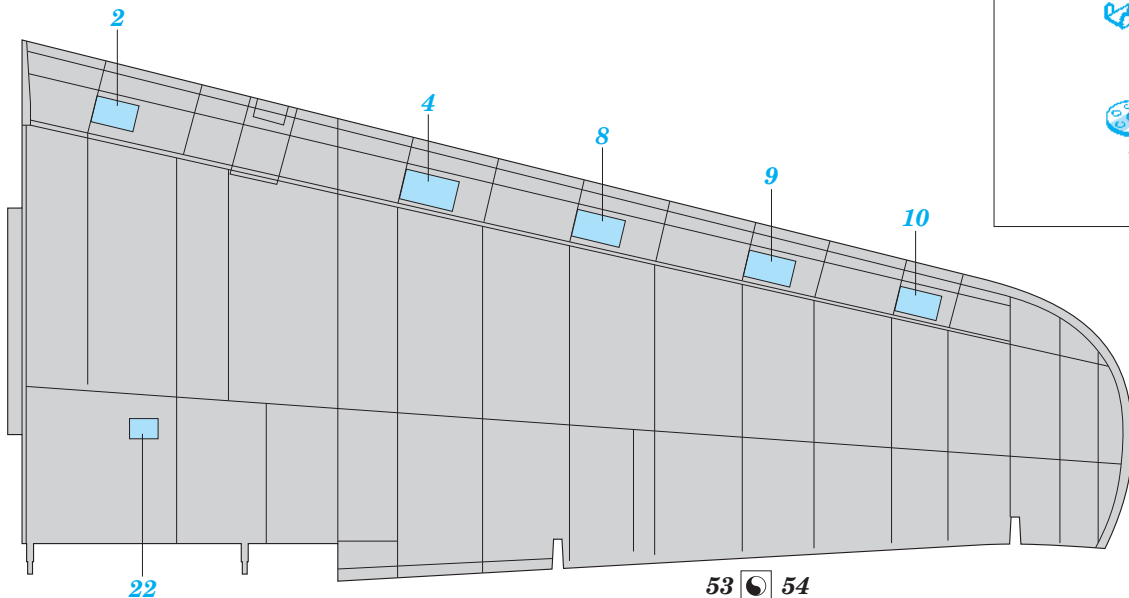
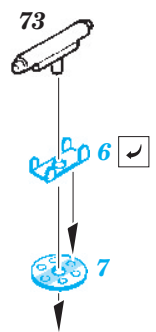
2 pcs.

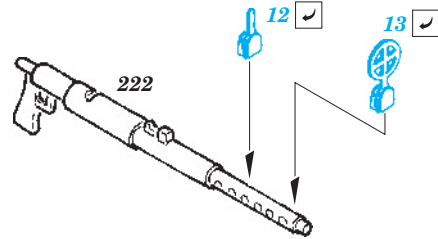
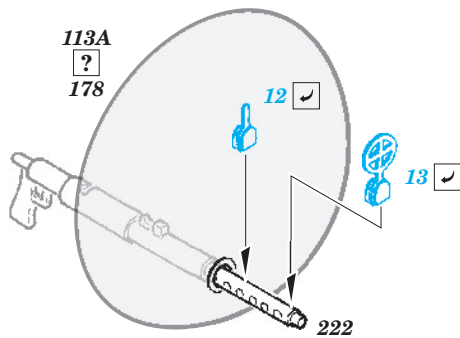
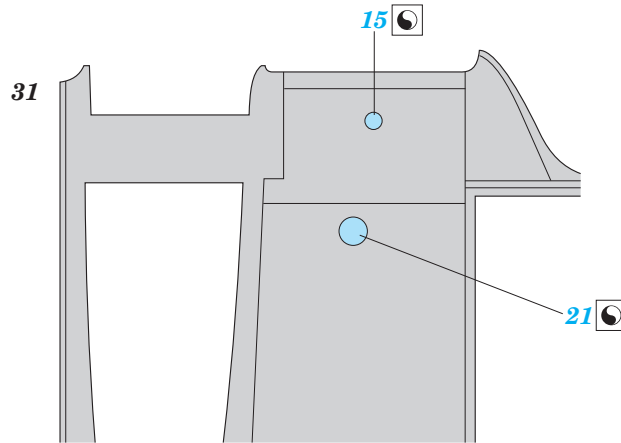
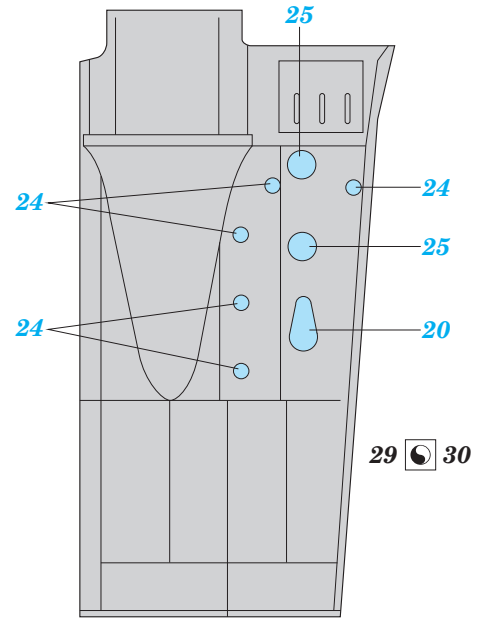
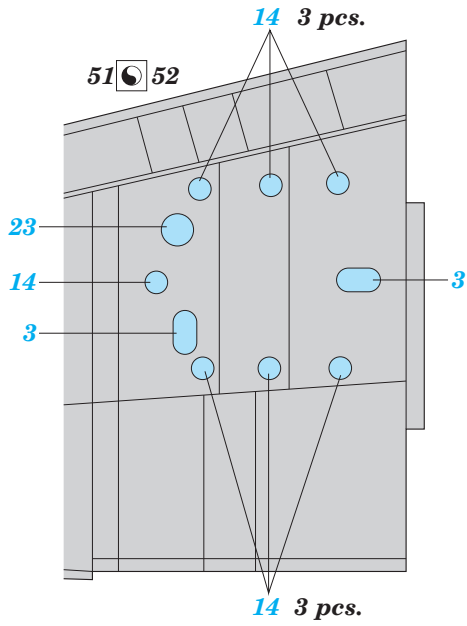


1 2 pcs.



closed 18
open 18
2 pcs. 19





*For further detail sets look for **eduard** 32 708 He 111P-1 seatbelts
(not included in this set)*

*For further detail sets look for **eduard** 32 293 He 111 bomb bay
(not included in this set)*

*For further detail sets look for **eduard** 32 709 He 111P-1 interior
(not included in this set)*

*For further detail sets look for **eduard** 32 306 He 111 undercarriage
(not included in this set)*