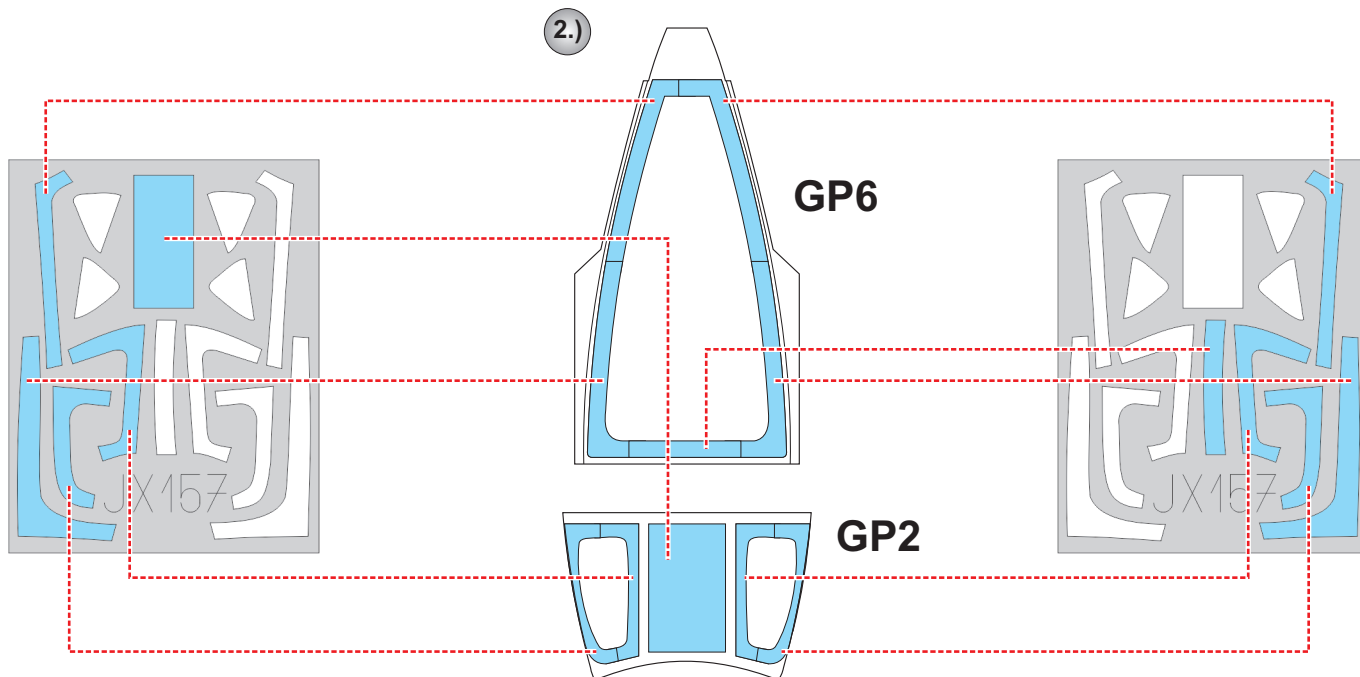
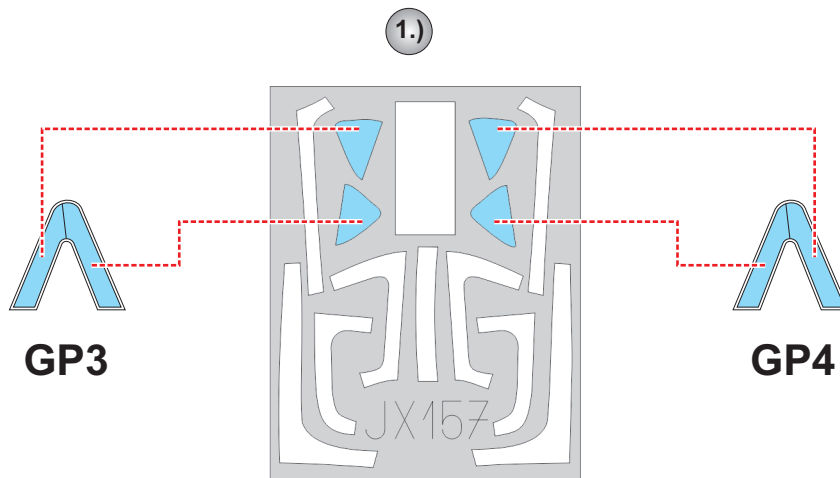
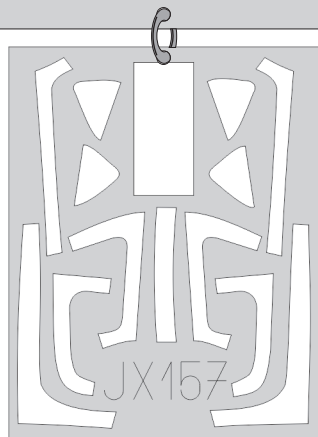


**eduard**  
**MASK**

# A-1D 1/32

The die-cut mask for accurate canopy frame painting of the  
*Trumpeter* scale 1/32 KIT

**JX 157**



## 3.) LIQUID MASK

