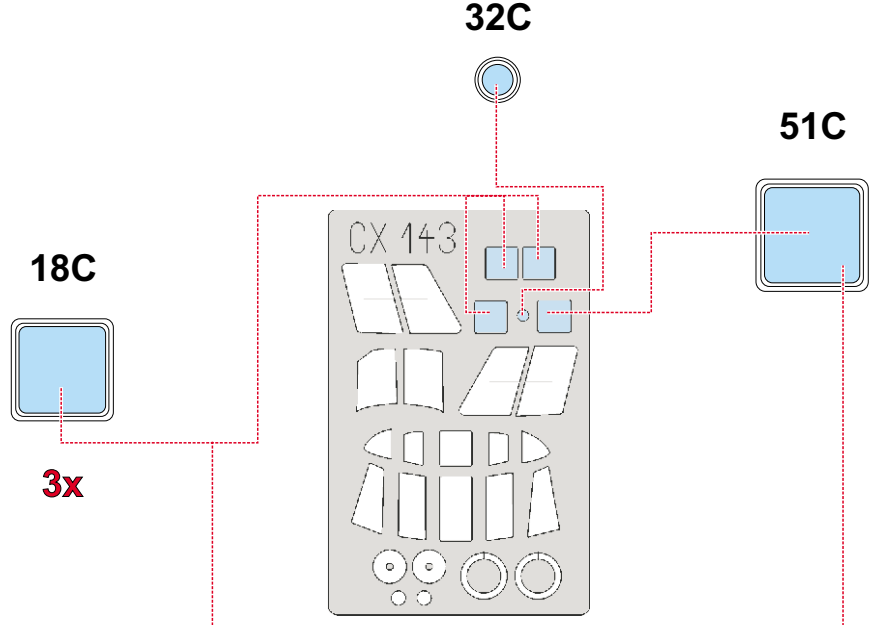
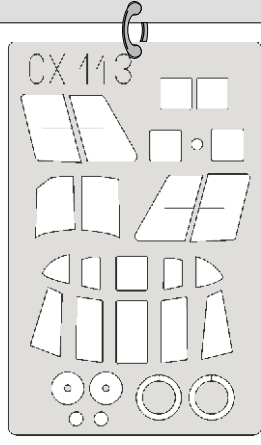


eduard  
MASK

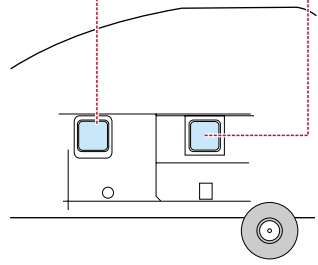
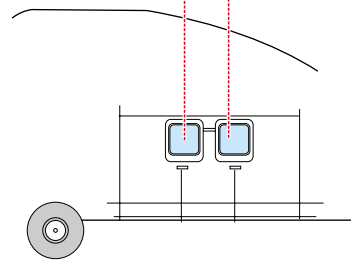
# H-34 1/72

The die-cut mask for accurate canopy frame painting of the  
*Italeri* scale 1/72 KIT

## CX 143

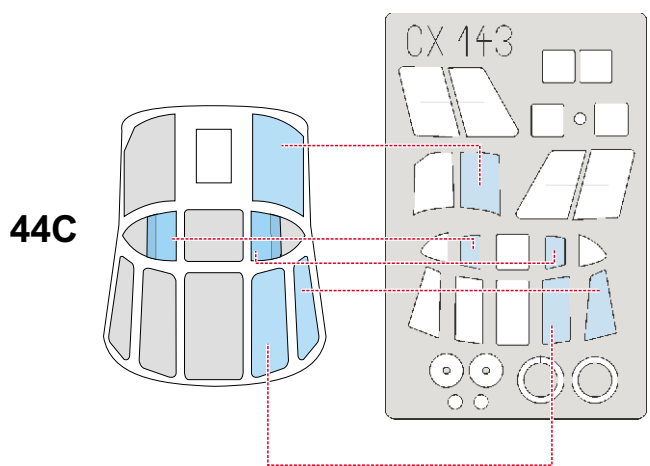
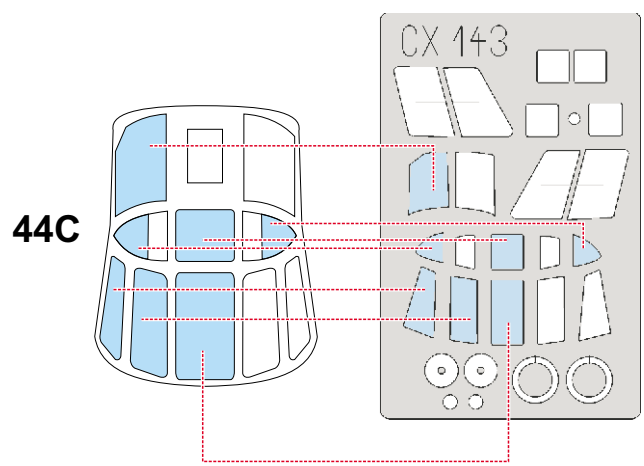


**REFERENCES:**  
Squadron / Signal Publications  
in action #1146 H-34

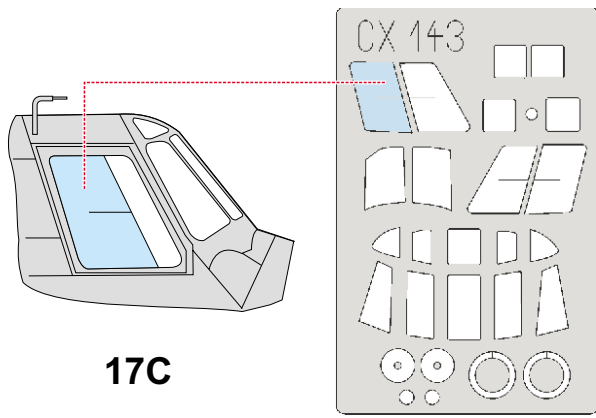


1.)

2.)

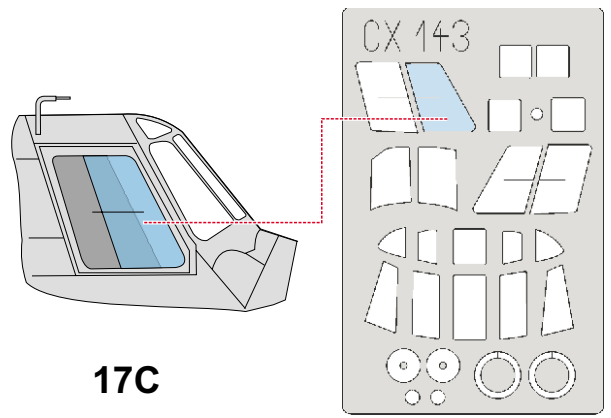


1.)



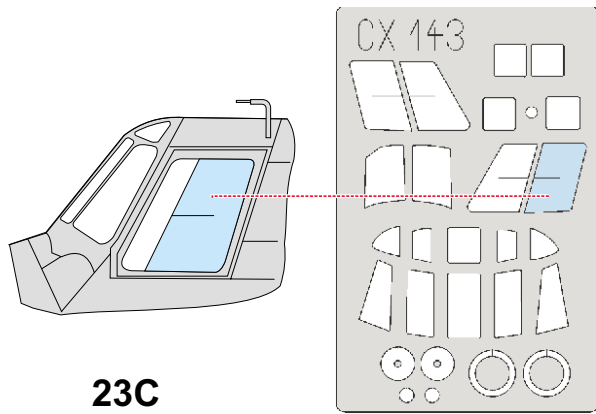
17C

2.)



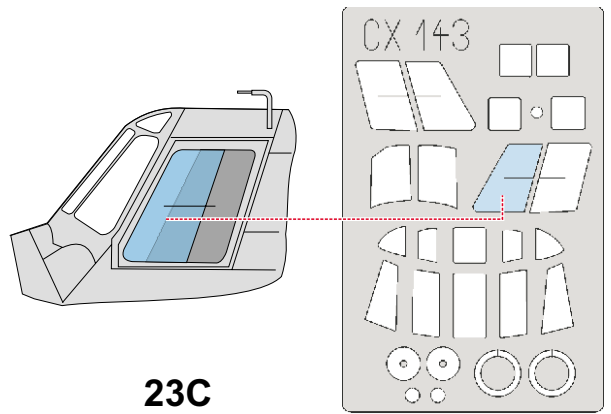
17C

1.)



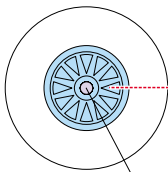
23C

2.)



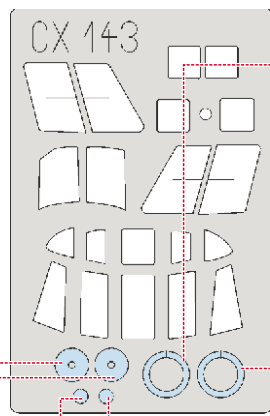
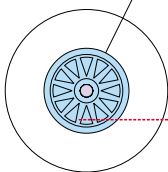
23C

38A



LIQUID MASK

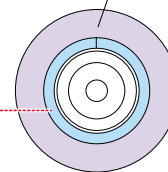
38A



37A

LIQUID MASK

37A



28A



28A

